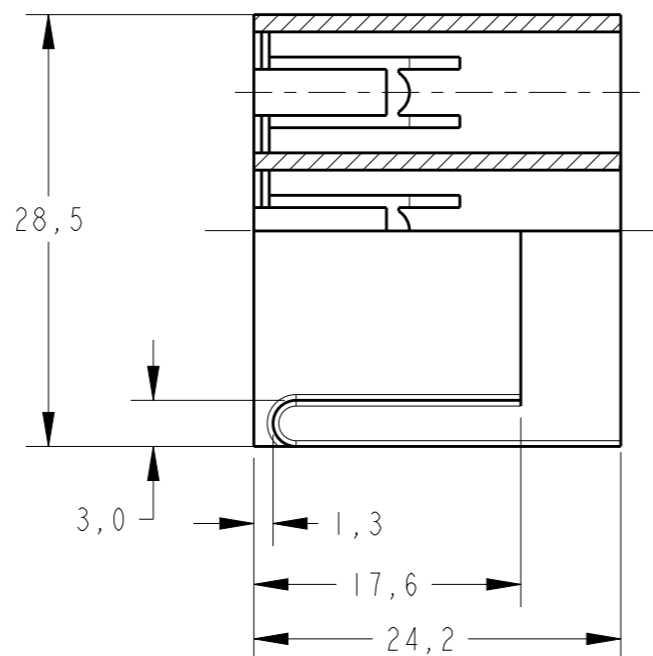
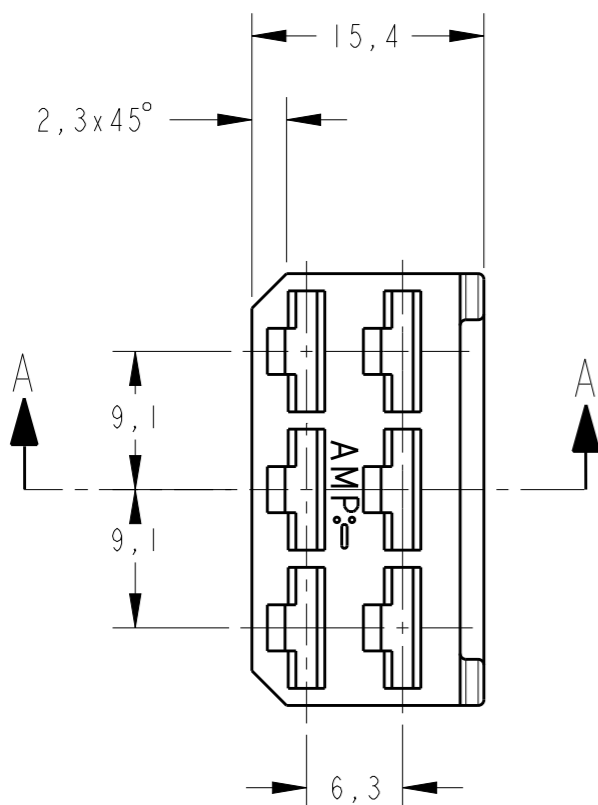


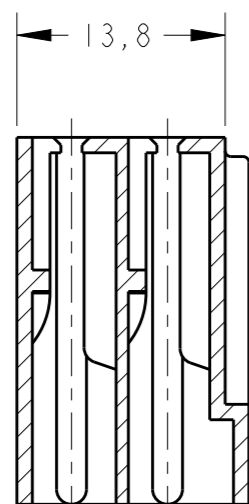
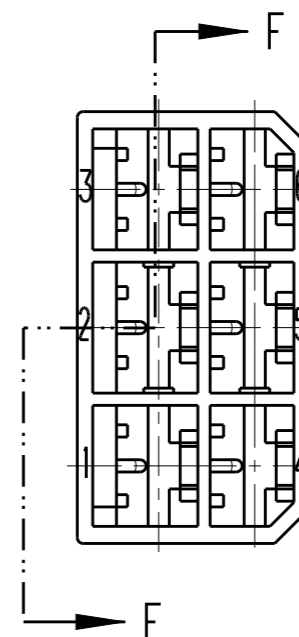
**creo**  
 Creo Parametric 2.0  
**DO NOT REVISE**  
**EXCEPT BY CAD**

REVISIONS

P	LTR	DESCRIPTION	DATE	DWN	APVD
		REVISED BY ECO-08-013026	28MAY2008	NCL	LWP
F4		REVISED BY ECO 16-005810	15APR2016	HC	WLS



CORTE SECTION F - F



CORTE SECTION A - A


1-INTERCAMBIÁVEL COM PN. 280314

1-INTERCHANGEABLE WITH PN. 280314.

~~2~~ ~~MATÉRIA PRIMA CONFORME ESPECIFICAÇÃO IEC 60335-1, GWT 750°C, SEM CHAMA.~~  
~~RAW MATERIAL ACC. TO SPEC. IEC 60335-1, GWT 750°C, WITHOUT FLAME.~~

OBSOLETE

CINZA / GRAY	PA 6.6	880297-3
PRETO / BLACK	PA 6.6	880297-2
NATURAL	<del>2</del> PA 6.6 V 0	2 880297 0
NATURAL	PA 6.6	880297-1
FINISH	MATERIAL	PART NUMBER

THIS DRAWING IS A CONTROLLED DOCUMENT.		DWN M.R.BRIZ 01APR2004	 TE Connectivity					
DIMENSIONS: mm		CHK P.L.FARIA 01APR2004				NAME	-	
TOLERANCES UNLESS OTHERWISE SPECIFIED:		APVD L.W.PRADO 01APR2004				PRODUCT SPEC	6 WAY .250 FASTIN-ON REC. HSG.	
0 PLC ±- 1 PLC ±0,3 2 PLC ±- 3 PLC ±- 4 PLC ±- ANGLES ±1°		APPLICATION SPEC				SIZE	CAGE CODE	DRAWING NO
MATERIAL SEE TABLE	FINISH SEE TABLE	WEIGHT	A3	-	©-880297			
Customer Drawing			SCALE	SHEET	REV			
			2:1	1 OF 1	F4			